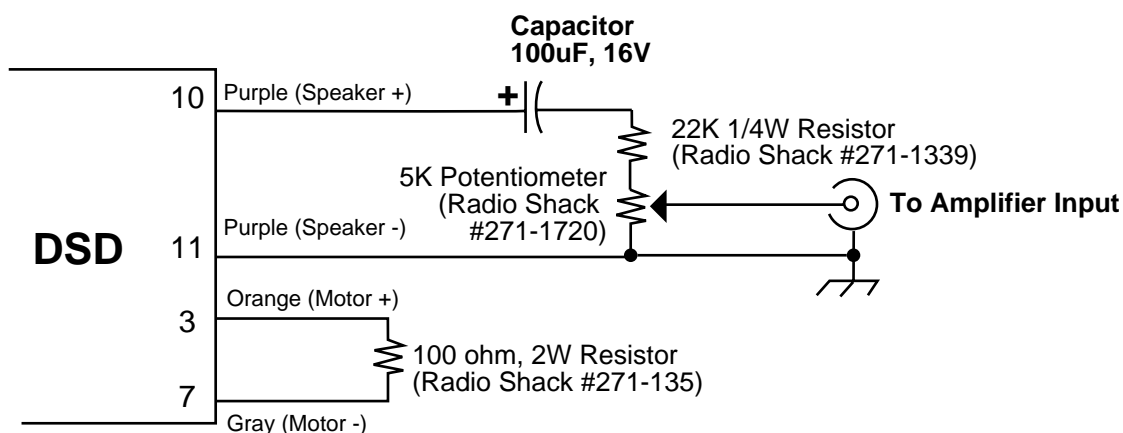


USING SOUNDTRAXX DIGITAL SOUND DECODERS WITH AN UNDERTABLE SPEAKER

The audio output of a SoundTraxx DSD sound module is sufficient to drive a typical 8 ohm speaker up to 6" in diameter and still generate reasonable volume. To drive large speakers, or produce more volume, you will need to use an external amplifier. The DSD's audio signal will overload most amplifier inputs, however, and a simple attenuator circuit must be built to lower the signal level.

The following diagram shows such a circuit and can be built with parts readily available at Radio Shack. The 100 ohm resistor across the DSD's motor leads is optional and is necessary only if you need to read CVs from a programming track. Once the circuit is built, it can be plugged into a dedicated amplifier or an auxiliary input of a stereo system.



IMPORTANT: Do NOT attempt to use the DSX Sound Decoder with this circuit as the DSX uses a different amplifier circuit that could become damaged!